



High capacity accessibility for homes and commercial spaces

Two seat sizes to choose from, including a spacious Plus seat for maximum comfort

Battery operated for reliability even during a power interruption

Savaria® K2 Plus Stairlift

ROBUST LIFTING POWER

The Savaria K2 Plus gives you the freedom of mobility that a stairlift offers without compromising on comfort. Strong and steady, the K2 Plus stairlift offers peace of mind when stairs are getting difficult to manage. With a roomy seat and high capacity, the lift effortlessly carries individuals up to 400 lb for home use with the Plus seat, or 350 lb in commercial settings; it's robust enough to withstand demanding use in public buildings such as places of worship or small professional offices.

Glide up and down a straight flight of stairs comfortably and securely using the onboard toggle controls, or with remote control operation. Then, simply fold the lift away when not in use to allow for more space on the stairway. With features such as a swivel and lock seat, non-skid footrest and retractable seatbelt the K2 Plus makes accessibility secure and easy.

Savaria® K2 Plus Stairlift

ROBUST LIFTING POWER



- Heavy duty unit can be installed on either side of a straight-run staircase
- Choose from two comfortable and durable seats with width-adjustable arms: Plus seat up to 24 1/4" wide or L seat up to 20" wide
- Plus seat offers 400 lb capacity for residential applications and 350 lb for commercial; L seat has a 350 lb capacity for both residential and commercial applications
- Includes 2 reliable radio frequency call stations plus toggle switch on arm rest for easy operation
- Easy-clean vinyl seat; neutral color carriage with attractive stainless steel gear rack and white rail
- Quiet and smooth-riding operation from the rack and pinion drive system
- Battery operated with continuous charging along the rail using standard power; can be used several times during a power failure
- LED status lights to advise you of any issues
- Obstacle sensor system on the carriage and footrest to stop the chair if it meets an obstruction
- Swivel and lock seat for added stability getting on and off the chair; additional safety features include retractable seat belt, anti-slip footrest, overspeed brake, and emergency stop button on chair for commercial applications

SPECIFICATIONS

Applications	Residential, commercial ¹ , indoor, straight-run stairs
Capacity	Residential: 400 lb (182 kg); commercial: 350 lb (159 kg)
Maximum travel distance	32 ft (9.75 m)
Travel speed	15 ft/min (0.08 m/s)
Drive	Rack and pinion
Motor	24 VDC, 1/3 HP, 2500 RPM
Fold-up width	13 1/2" (34.3 cm)
Fold-out width	25 1/2" (64.8 cm)
Range of incline	30° to 55°
Warranty	36 months parts, ask dealer for details

Talk to a skilled Savaria dealer about how the Savaria K2 Plus stairlift can give you the mobility you need without major construction. Your local dealer can ensure your product complies with applicable code.

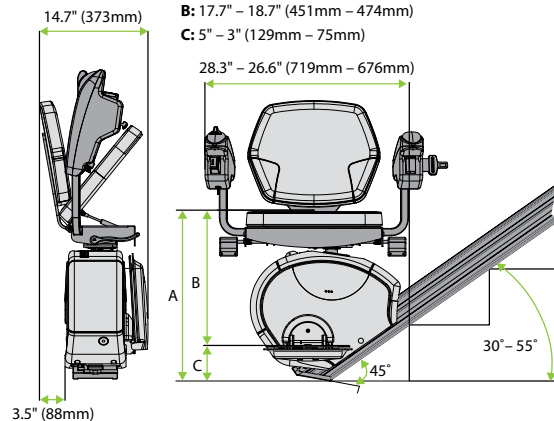
¹Code permitting

Measurements vary based on rail angle:

A: 23.5" – 21.6" (598mm – 549mm)

B: 17.7" – 18.7" (451mm – 474mm)

C: 5" – 3" (129mm – 75mm)



Authorized Savaria Dealer:

 **savaria**

www.savaria.com

2 Walker Drive, Brampton, ON L6T 5E1 Canada

tel: 800.661.5112 fax: 905.791.2222